

# ARCHITECTURAL PRODUCTS COMPANY

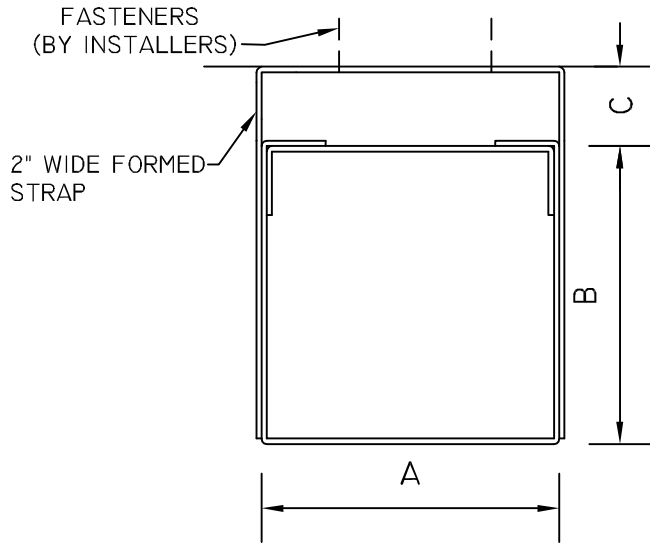
1290 AVIATION BLVD. SUITE 200  
 P.O. BOX 630  
 HEBRON, KY 41048

**KY (859) 689-2210 OUT STATE (800) 837-1001**  
**FAX (859) 689-2215**

DOWNSPOUT

QUANTITY

- \_\_\_ PCS. @ 10'-0"
- \_\_\_ KICKOUTS
- \_\_\_ ELBOWS (ATTACH SKETCH)
- \_\_\_ CONNECTOR SLEEVES
- \_\_\_ PCS 2" WIDE FORMED ALUM. STRAP



FORMED DOWNSPOUT

2" WIDE FORMED STRAP

KICKOUT

10'-0"

## DOWNSPOUT DETAIL

DETAIL	ARCH'L REF.	DESCRIPTION
SIZE A= _____ B= _____ C= _____	GAUGE <input type="checkbox"/> .040" <input type="checkbox"/> .050" <input type="checkbox"/> .063" <input type="checkbox"/> .080" <input type="checkbox"/> 22 GA <input type="checkbox"/> 24 GA <input type="checkbox"/> _____	MATERIAL <input type="checkbox"/> ALUMINUM <input type="checkbox"/> GALV STEEL <input type="checkbox"/> _____
		FINISH <input type="checkbox"/> MILL FINISH <input type="checkbox"/> KYNAR 500 <input type="checkbox"/> CLEAR ANODIZED <input type="checkbox"/> BRONZE ANODIZED <input type="checkbox"/> BLACK ANODIZED <input type="checkbox"/> _____
		COLOR _____
<b>TRANSMITTAL</b> <input type="checkbox"/> REQUEST FOR QUOTATION <input type="checkbox"/> REQUEST FOR INFORMATION <input type="checkbox"/> SUBMIT AS QUOTATION <input type="checkbox"/> CONFIRMING TELCON <input type="checkbox"/> SUBMIT FOR APPROVAL <input type="checkbox"/> FOR YOUR FILES BY _____                      DATE _____		<b>CUSTOMER APPROVAL</b> <input type="checkbox"/> APPROVED FOR FABRICATION <input type="checkbox"/> APPROVED WITH CHANGES <input type="checkbox"/> DISAPPROVED, RESUBMIT _____ AUTHORIZED CUSTOMER SIGNATURE _____ TITLE                                      DATE
JOB NAME		JOB #
LOCATION		SHEET OF
CUSTOMER		BY
REPRESENTATIVE		DATE
ARCHITECT		