

ARCHITECTURAL PRODUCTS COMPANY

1290 AVIATION BLVD. SUITE 200

P.O. BOX 630

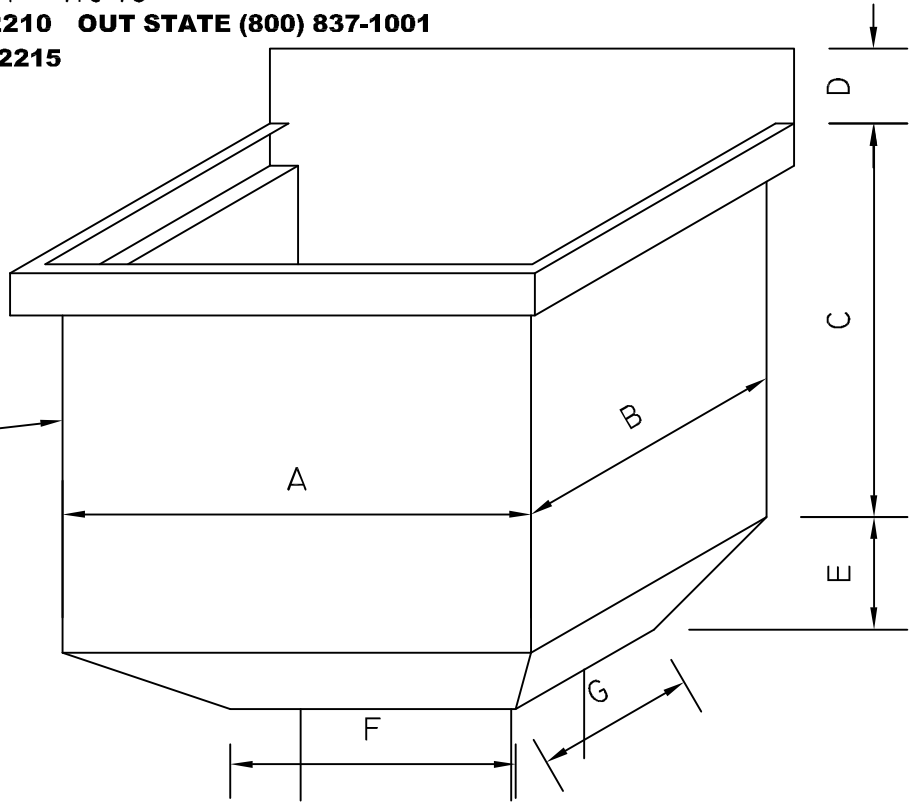
HEBRON, KY 41048

KY (859) 689-2210 OUT STATE (800) 837-1001

FAX (859) 689-2215

QUANTITY _____
 _____ TOTAL

FULLY WELDED ALUMINUM
 CONDUCTO BOX



ALUMINUM CONDUCTOR HEAD

DETAIL _____	ARCH'L REF. _____	DESCRIPTION _____	
SIZE	GAUGE	MATERIAL	FINISH
A= _____	<input type="checkbox"/> .050"	ALUMINUM	<input type="checkbox"/> MILL FINISH
B= _____	<input type="checkbox"/> .063"		<input type="checkbox"/> KYNAR 500
C= _____	<input type="checkbox"/> .080"		<input type="checkbox"/> CLEAR ANODIZED
D= _____	<input type="checkbox"/> .125"		<input type="checkbox"/> BRONZE ANODIZED
E= _____			<input type="checkbox"/> BLACK ANODIZED
F= _____	DOWNSPOUT SIZE _____		<input type="checkbox"/> _____
G= _____		COLOR _____	
TRANSMITTAL		CUSTOMER APPROVAL	
<input type="checkbox"/> REQUEST FOR QUOTATION <input type="checkbox"/> REQUEST FOR INFORMATION <input type="checkbox"/> SUBMIT AS QUOTATION <input type="checkbox"/> CONFIRMING TELCON <input type="checkbox"/> SUBMIT FOR APPROVAL <input type="checkbox"/> FOR YOUR FILES		<input type="checkbox"/> APPROVED FOR FABRICATION <input type="checkbox"/> APPROVED WITH CHANGES _____ <input type="checkbox"/> DISAPPROVED, RESUBMIT AUTHORIZED CUSTOMER SIGNATURE	
BY _____ DATE _____		TITLE _____ DATE _____	
JOB NAME		JOB #	
LOCATION		SHEET OF	
CUSTOMER		BY	
REPRESENTATIVE		DATE	
ARCHITECT			