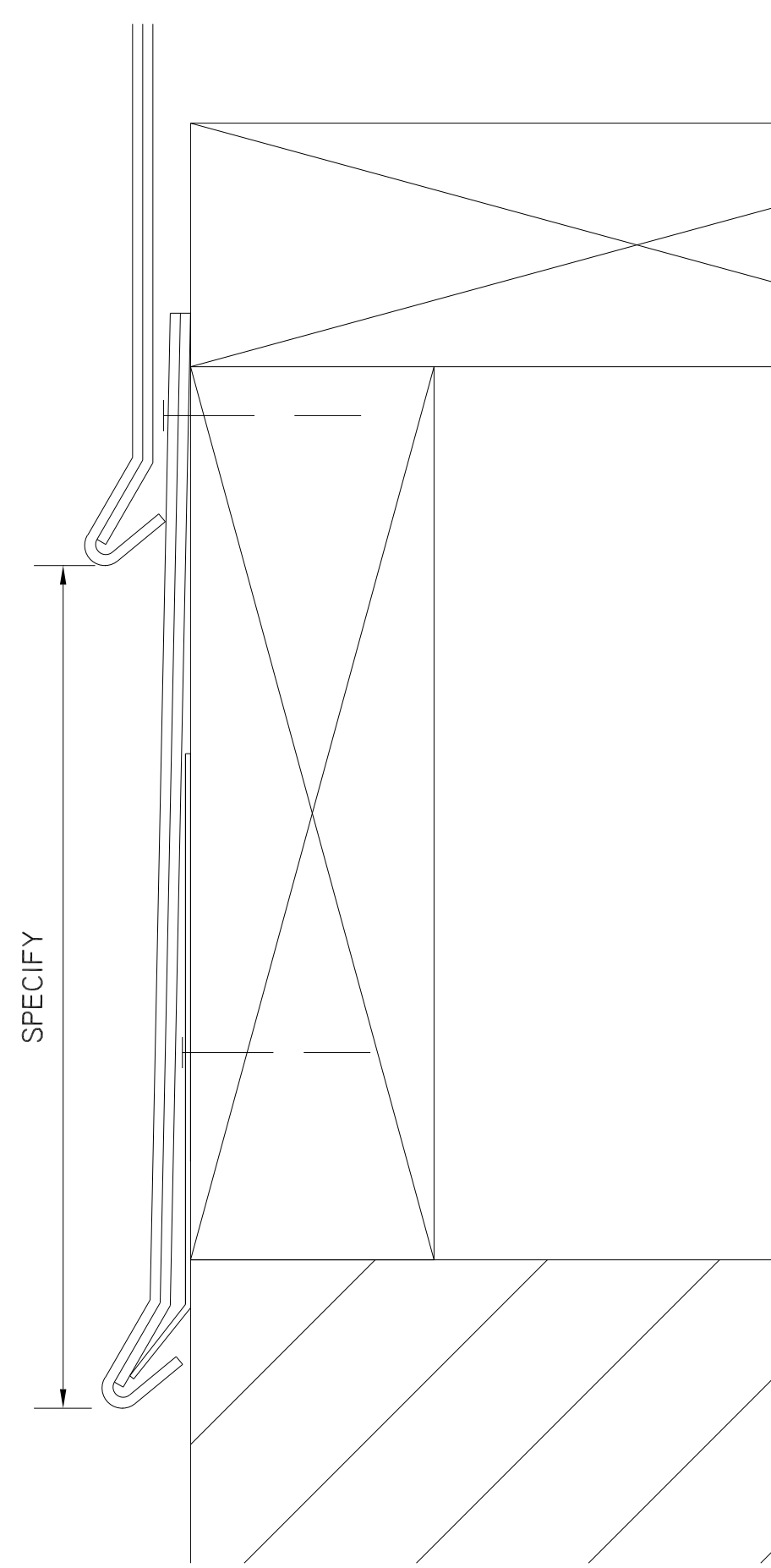


AP STANDARD GRAVEL STOP ACCESSORIES



EXTENDER

Architectural Products Co.