

ARCHITECTURAL PRODUCTS COMPANY

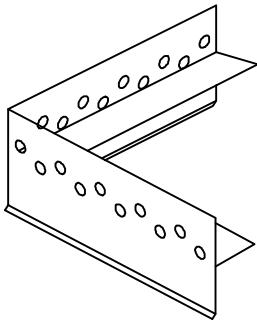
1290 AVIATION BLVD. SUITE 200
 P.O. BOX 630
 HEBRON, KY 41048

EXTRUDED ALUM. DRAINABLE
 GRAVEL STOP ED-425

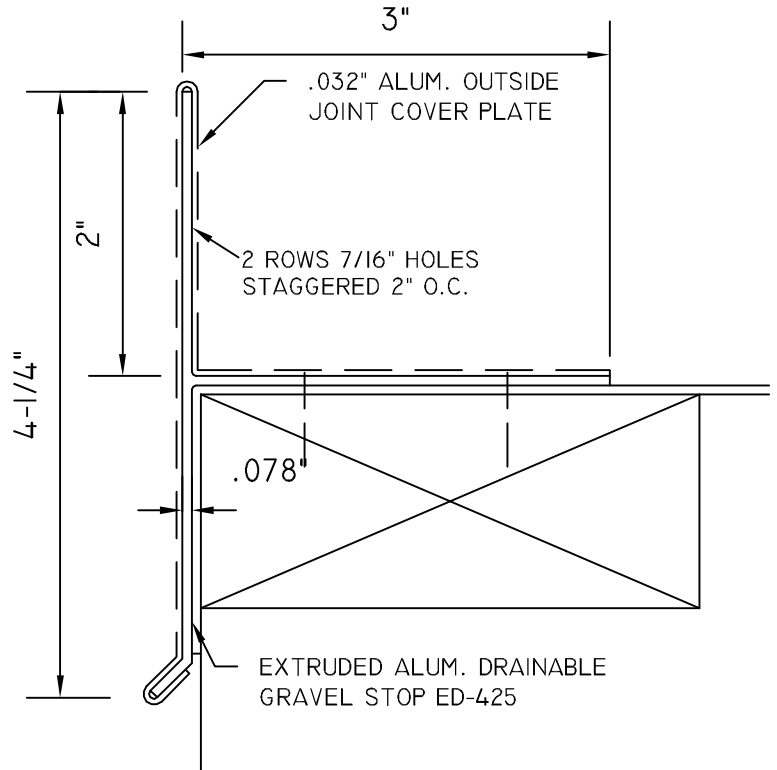
KY (859) 689-2210 OUT STATE (800) 837-1001
FAX (859) 689-2215

QUANTITY

- ___ FT. TOTAL PERIMETER
- ___ PCS STOCK @ 9'11-1/2"
- ___ PCS STD. O.S. CORNER
- ___ PCS STD. I.S. CORNER
- ___ PCS SPEC. CORNER
(ATTACH SKETCHES)
- ___ PCS END CAP - L
- ___ PCS ENDCAP - R



WELDED CORNERS



EXTRUDED ALUM. DRAINABLE GRAVEL STOP ED-425

DETAIL _____ ARCH'L REF. _____ DESCRIPTION _____		FINISH <input type="checkbox"/> MILL FINISH <input type="checkbox"/> KYNAR 500 <input type="checkbox"/> CLEAR ANODIZED <input type="checkbox"/> BRONZE ANODIZED <input type="checkbox"/> BLACK ANODIZED <input type="checkbox"/> _____
COLOR _____		
TRANSMITTAL <input type="checkbox"/> REQUEST FOR QUOTATION <input type="checkbox"/> REQUEST FOR INFORMATION <input type="checkbox"/> SUBMIT AS QUOTATION <input type="checkbox"/> CONFIRMING TELCON <input type="checkbox"/> SUBMIT FOR APPROVAL <input type="checkbox"/> FOR YOUR FILES BY _____ DATE _____	CUSTOMER APPROVAL <input type="checkbox"/> APPROVED FOR FABRICATION <input type="checkbox"/> APPROVED WITH CHANGES _____ AUTHORIZED CUSTOMER SIGNATURE <input type="checkbox"/> DISAPPROVED, RESUBMIT _____ TITLE DATE	
JOB NAME	JOB #	
LOCATION	SHEET	OF
CUSTOMER	BY	
REPRESENTATIVE	DATE	
ARCHITECT		